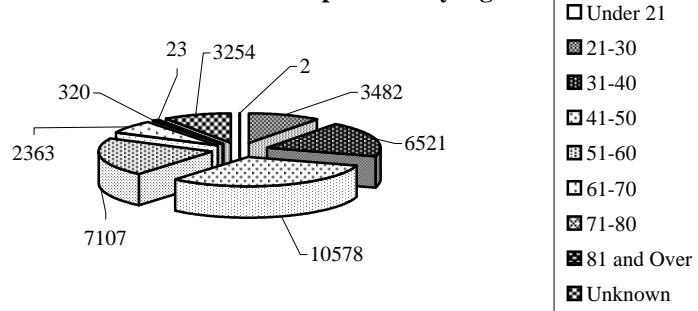
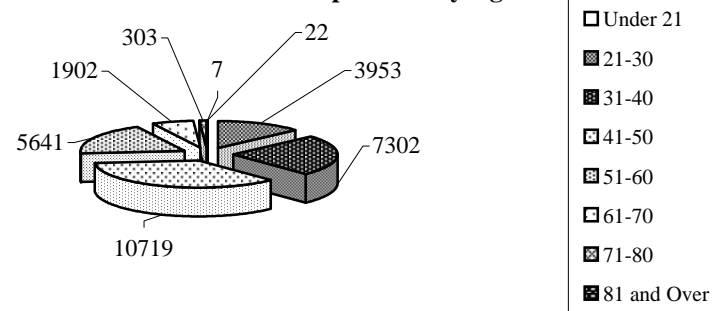


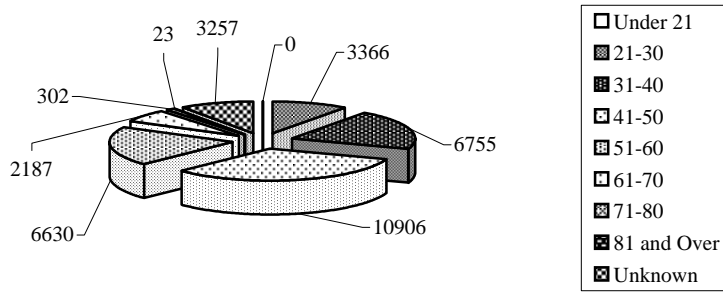
**FY2003 RN Population By Age**



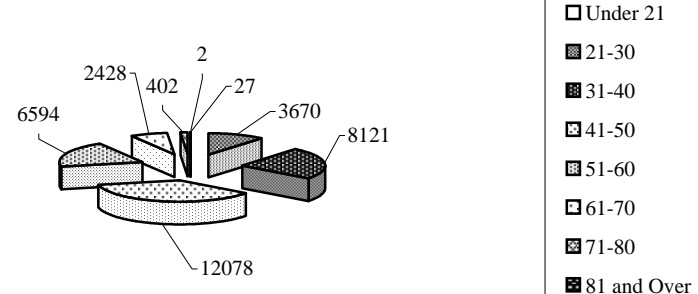
**FY2000 RN Population By Age**



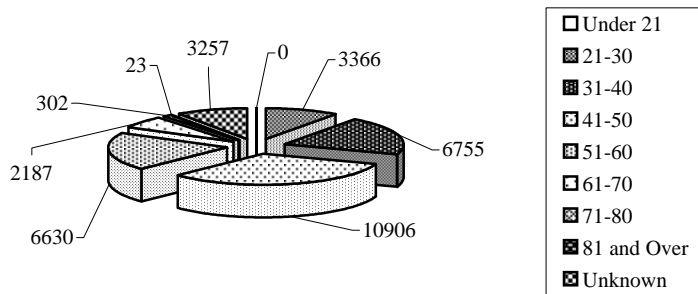
**FY2002 RN Population By Age**



**FY1999 RN Population By Age**



**FY2001 RN Population By Age**



**FY1998 RN Population By Age**

